

**Part Number:**

1990607

**Models:**

Classic 350cc, Classic 500cc

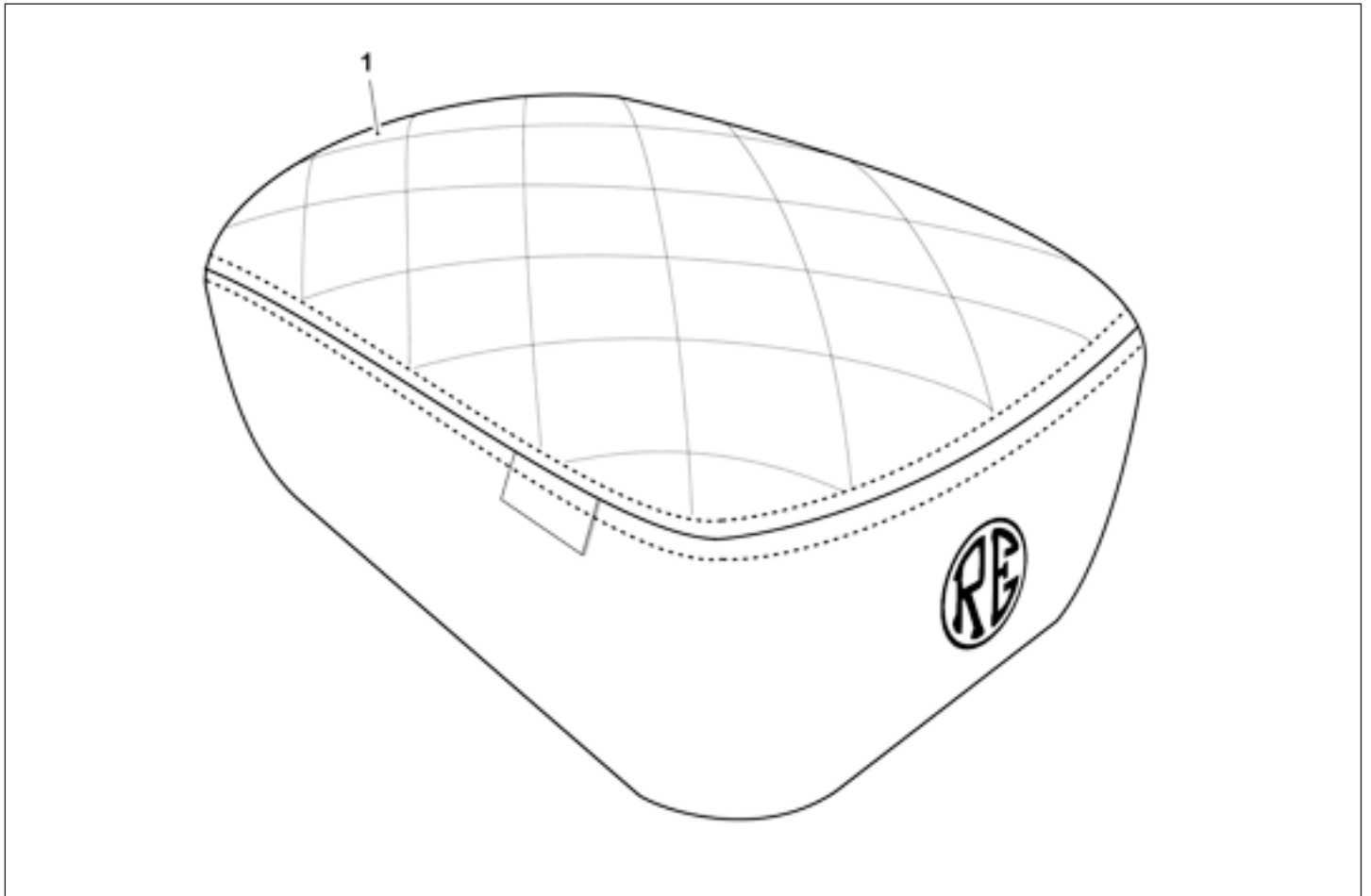
**WARNING:** Royal Enfield genuine accessories are designed to fit only the specific Royal Enfield motorcycle(s) that are specified above. They should not be fitted to any other type of motorcycle. Pay particular attention to the warnings and cautions contained in this instruction, failure to do so may result in an incorrect installation of the accessory which could result in an unsafe riding condition and possible accident. If in any doubt always seek the help from your authorised Royal Enfield dealer.

**WARNING:** Before starting any accessory kit installation ensure the motorcycle is supported in a stable condition. Failure to support the motorcycle correctly could lead to motorcycle damage or personal injury.

**WARNING:** All fixings must be tightened to the torque values specified in this instruction. Failure to tighten fixings to the correct torque could result in an unsafe riding condition and possible accident.

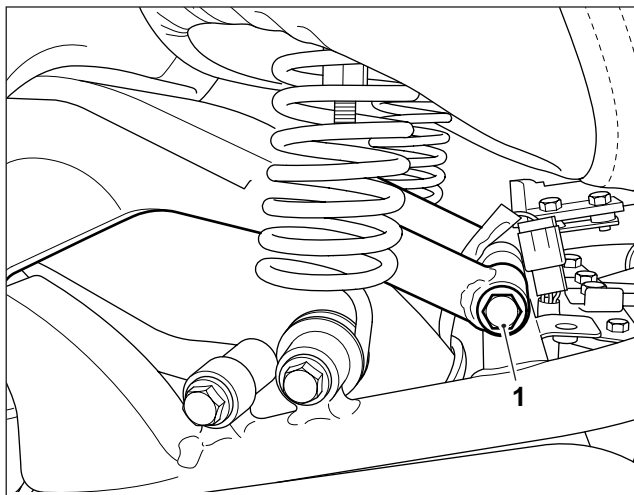
**CAUTION:** Care should be taken when fitting any accessory kit. Incorrect handling kit components or the use of incorrect tools could lead to component or motorcycle damage.

**NOTE:** The content of this instruction is subject to change at any time without notice or liability. Royal Enfield reserves the right to revise the information presented at any time.

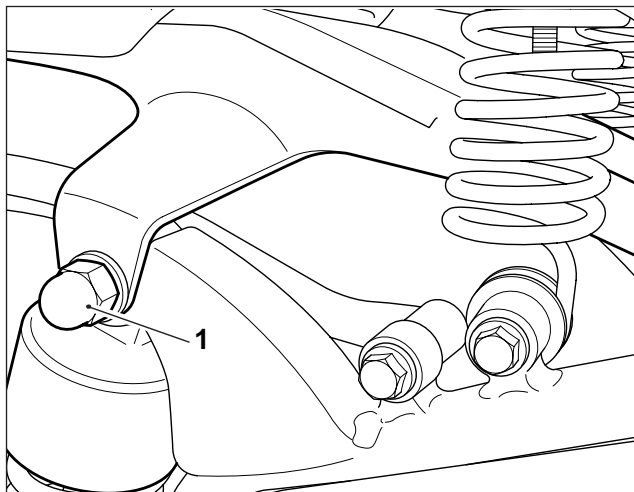


Item	Description	Qty
1	Passenger seat	1

**1** Remove the passenger seat mounting bracket front fixing (1) from the right hand side of the motorcycle. Retain the fixing for reuse.

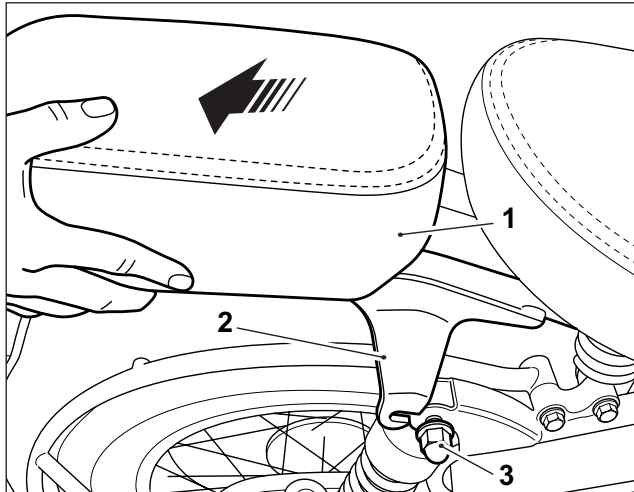


**2** Loosen the top rear suspension mounting nuts (1) on both sides of the motorcycle, right hand side shown. Do not remove the rear suspension mounting nuts.

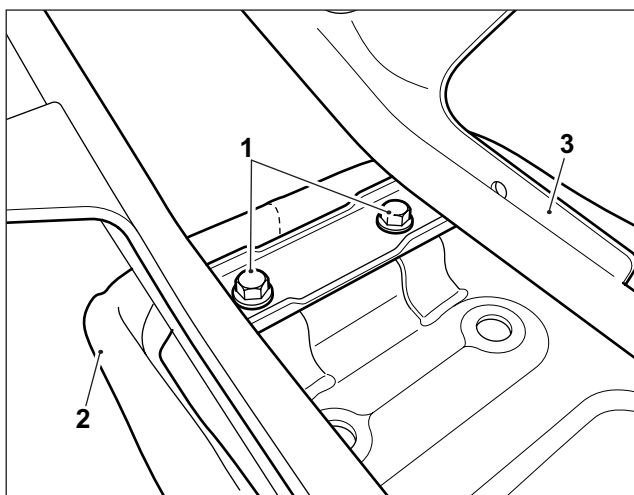


**3** Carefully slide the passenger seat assembly (1) towards the rear of the motorcycle to disengage the seat mounting bracket (2) from the rear suspension fixings (3), right hand side shown. Remove the seat assembly from the motorcycle.

**CAUTION:** When removing the passenger seat and mounting bracket assembly ensure the assembly is kept clear of the rear mudguard. If the passenger seat and mounting bracket assembly are allowed to contact the rear mudguard it could result in damage to the mudguard finish.



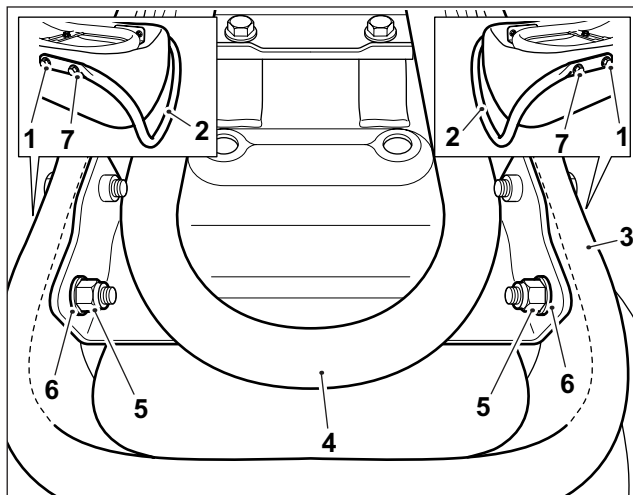
**4** Place the seat assembly, cushion side down, on a clean flat surface. Remove the two fixings (1) retaining the front of the passenger seat (2) to the mounting bracket (3). Retain the fixings for reuse..



**5** Remove the fixings (1) retaining the front of the grab rail (2) to the seat (3) and mounting bracket (4). Remove the nuts (5), washers (6) and fixings (7) retaining the rear of the grab rail. Carefully remove the grab rail from the passenger seat. Retain the grab rail, fixings, nuts and washers for reuse.

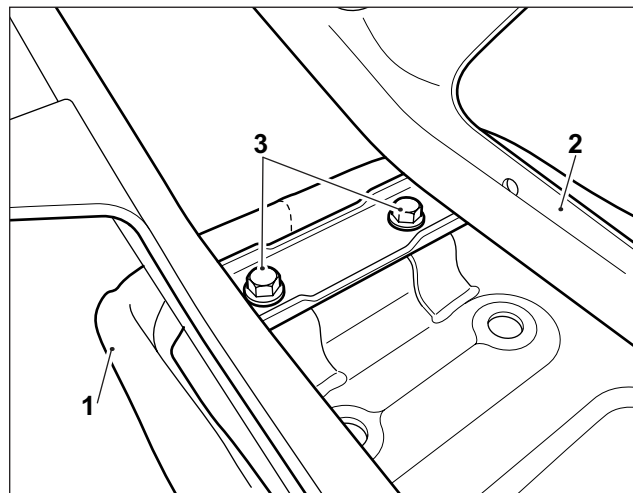
Remove the mounting bracket from the passenger seat. Retain the mounting bracket for reuse.

Retain the passenger seat for reuse if the motorcycle is returned to its original condition.

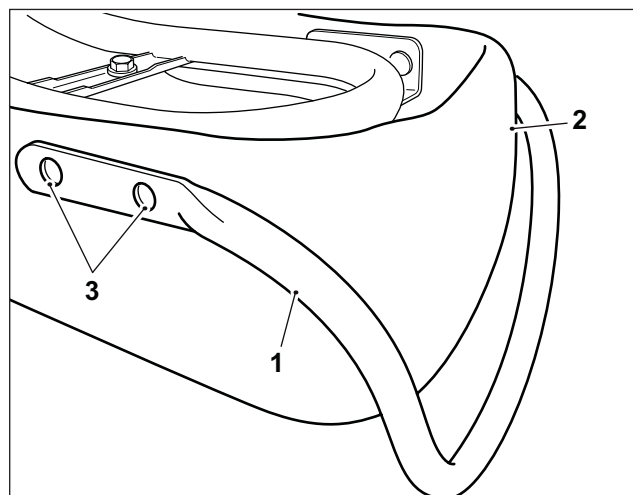


**6** Place the accessory seat from the kit (1), cushion side down, on a clean flat surface.

Position the original mounting bracket (2) on the accessory passenger seat and align the front fixing positions of the passenger seat and mounting bracket. Fit the original fixings (3). Do not fully tighten the fixings at this stage.



**7** Position the original grab rail (1) on the passenger seat (2) in the orientation shown and align the fixing positions (3) of the grab rail, passenger seat and mounting bracket.

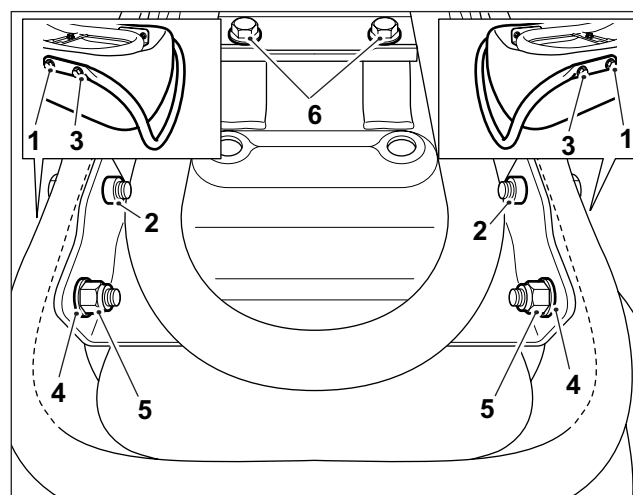


**8** Fit the front grab rail fixings (1), through the passenger seat in to the captive nuts (2) on the mounting bracket.

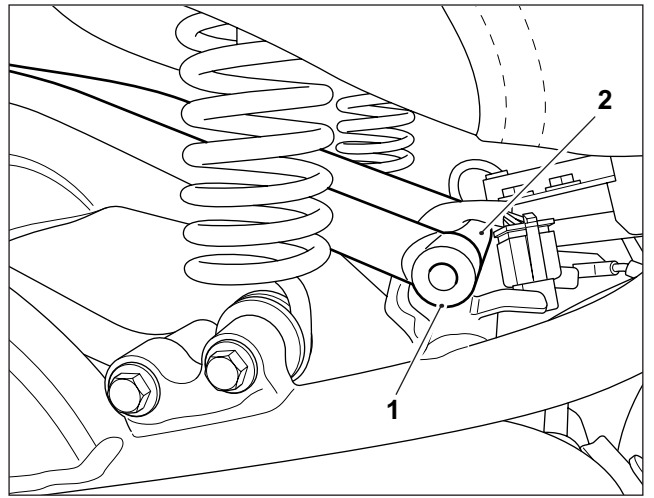
Fit the original rear grab rail fixings (3), washers (4) and nuts (5). Do not fully tighten any of the grab rail fixings at this stage.

Tighten the passenger seat front fixings (6) to **25 Nm**.

Tighten the four grab rail fixings (1 & 3) to **10 Nm**.

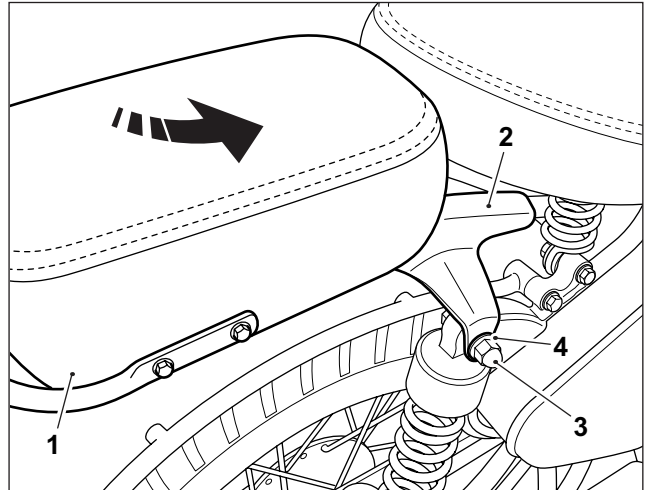


**9** Carefully position the front of the passenger seat mounting bracket (1) under the rider seat and locate the mounting bracket correctly on the frame mounting (2).



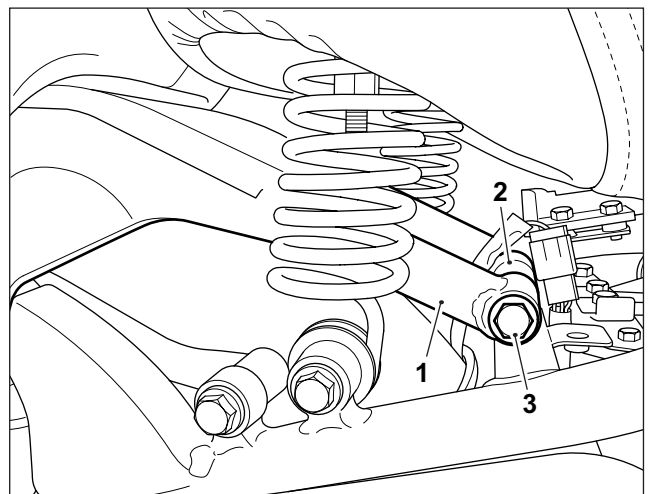
**10** Lower the passenger seat and mounting bracket assembly (1) and slide the assembly forwards to engage the mounting brackets (2) on the rear suspension fixings (3), right hand side shown. Ensure the mounting bracket is located behind the washers (4) on the rear suspension fixings, as shown.

**CAUTION:** When fitting the passenger seat and mounting bracket assembly ensure the assembly is kept clear of the rear mudguard. If the passenger seat and mounting bracket assembly are allowed to contact the rear mudguard it could result in damage to the mudguard finish.

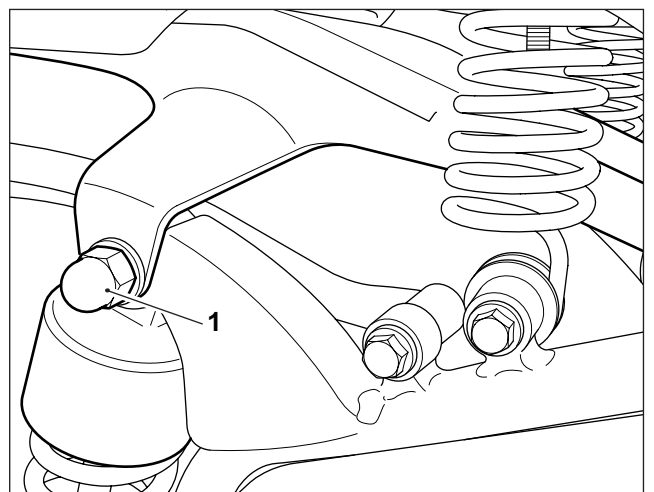


**11** Align the front fixing positions of the passenger seat mounting bracket (1) with the mounting position on the motorcycle frame (2).

Fit the original fixing (3) from the right hand side of the motorcycle. Tighten the fixing to **25 Nm**.



**12** Tighten the rear suspension fixings (1) on both sides of the motorcycle to **40 Nm**, right hand side shown.



---

 **WARNING:** Check the new seat is securely attached to the motorcycle. If the seat is not correctly secured to the motorcycle it may allow movement or possible detachment of the seat while riding. A loose or detached seat may cause the motorcycle to become unstable and result in an accident.

 **WARNING:** After fitting any genuine Royal Enfield accessory always ride the motorcycle with caution and allow time to become familiar with any change in the motorcycle handling characteristics. Failure to become familiar with any change in the motorcycle handling characteristics may cause the motorcycle to become unstable and result in an accident.