

Part Number:

1990677

Models :

Classic 350 & 500 (Rear Disc Brake)

Trials 350, Trials 500

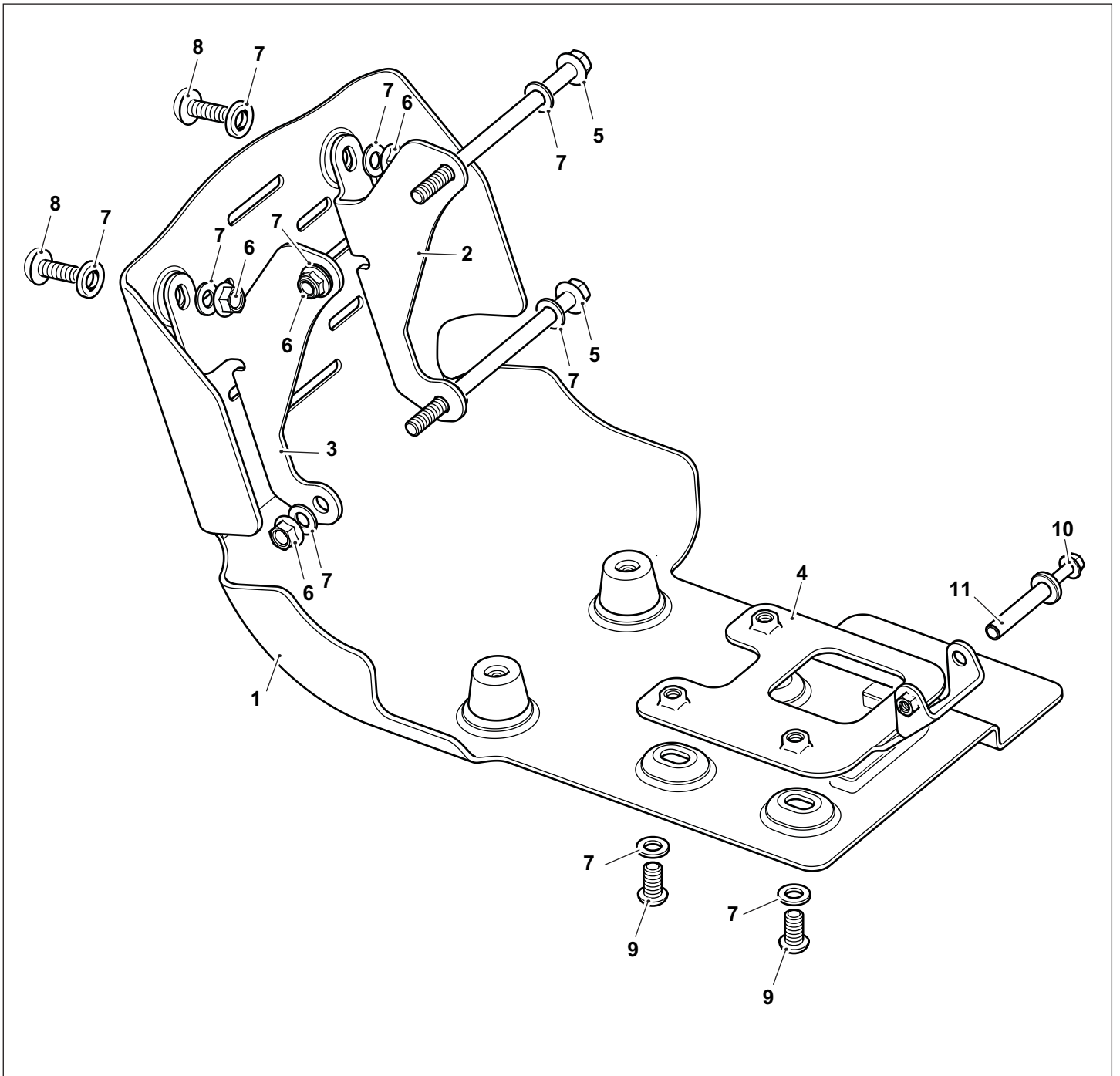
 **WARNING:** Royal Enfield genuine accessories are designed to fit only the specific Royal Enfield motorcycle(s) that are specified above. They should not be fitted to any other type of motorcycle. Pay particular attention to the warnings and cautions contained in this instruction, failure to do so may result in an incorrect installation of the accessory which could result in an unsafe riding condition and possible accident. If in any doubt always seek the help from your authorised Royal Enfield dealer.

 **WARNING:** Before starting any accessory kit installation ensure the motorcycle is supported in a stable condition. Failure to support the motorcycle correctly could lead to motorcycle damage or personal injury.

 **WARNING:** All fixings must be tightened to the torque values specified in this instruction. Failure to tighten fixings to the correct torque could result in an unsafe riding condition and possible accident.

 **CAUTION:** Care should be taken when fitting any accessory kit. Incorrect handling kit components or the use of incorrect tools could lead to component or motorcycle damage.

NOTE: The content of this instruction is subject to change at any time without notice or liability. Royal Enfield reserves the right to revise the information presented at any time.



Item	Description	Qty
1	Sump Guard	1
2	Front Mounting Bracket, Right Hand	1
3	Front Mounting Bracket, Left Hand	1
4	Rear Mounting Bracket	1
5	Fixing, M8 x 130mm	2

Item	Description	Qty
6	Lock nut, M8	4
7	Washer, M8	11
8	Fixing, M8 x 20mm Button Head	5
9	Fixing, M5 x 55mm	1
10	Flanged Sleeve	1

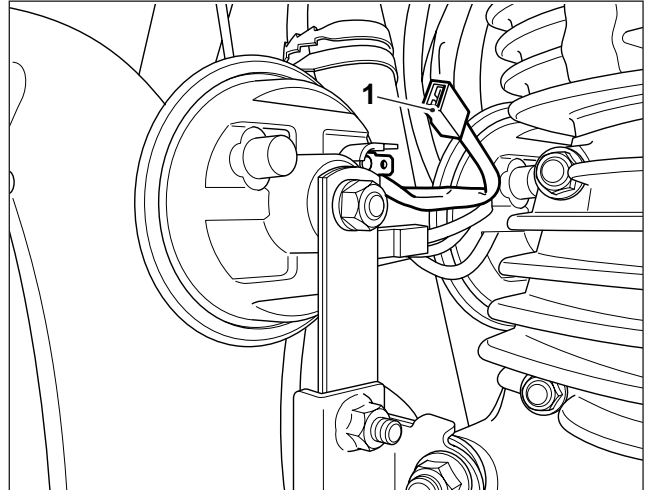
WARNING: If the engine has recently been running the exhaust system will be hot. Before working near to the exhaust system always allow time for the exhaust system to cool. Touching any part of a hot exhaust system will cause burn injuries.

NOTE: The accessory sump guard kit can be fitted to motorcycles with, or without accessory compact engine guards. Follow the appropriate steps detailed in this instruction.

All Motorcycles


1 Disconnect the battery, negative connection first.

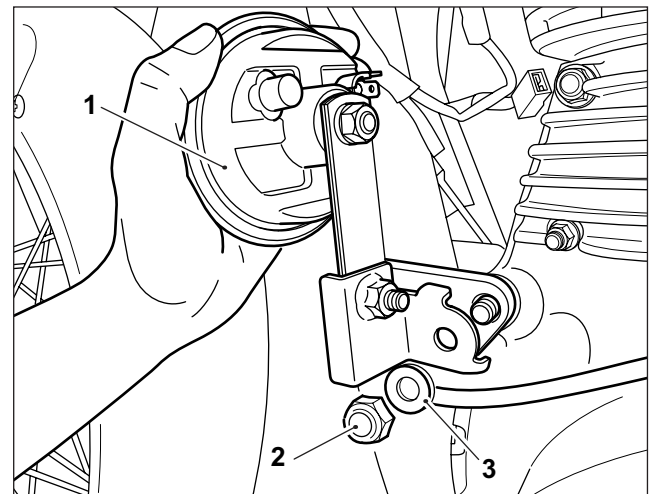
2 Disconnect the left hand and right hand horn connections (1), left hand side shown.



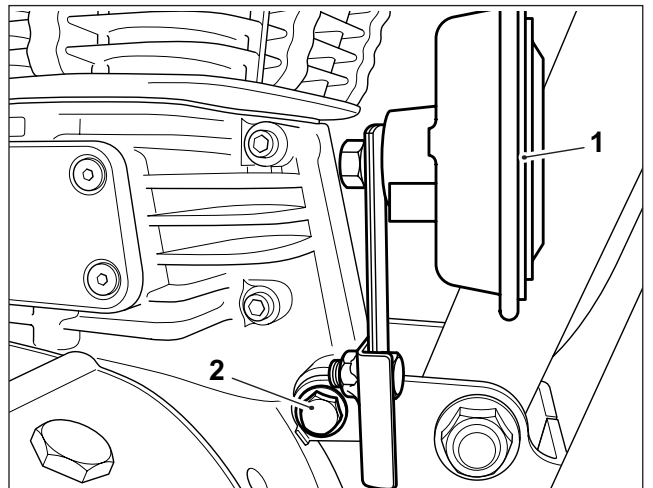
Motorcycles without Accessory Compact Engine Guards

3 While supporting the horn (1), remove the top engine mounting fixing nut (2) and washer (3) on the left hand side of the motorcycle. Remove the horn and bracket assembly from the fixing. Retain the horn and bracket assembly for reuse. Retain the fixing nut and washer for reuse if the accessory sump guard is removed.

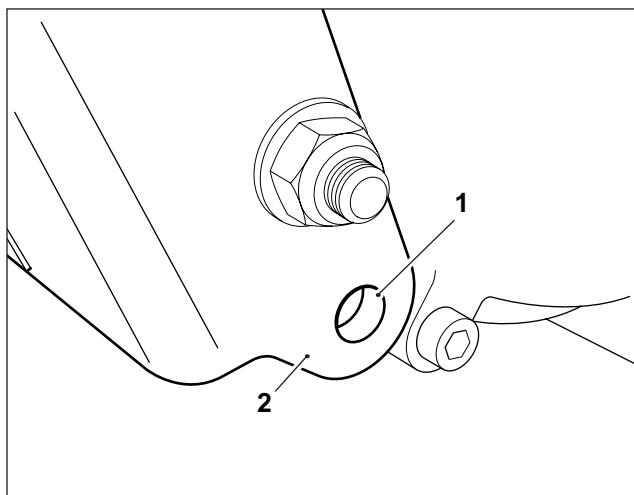
	13mm Bi-hexaganol socket with ratchet 13mm Spanner
---	---



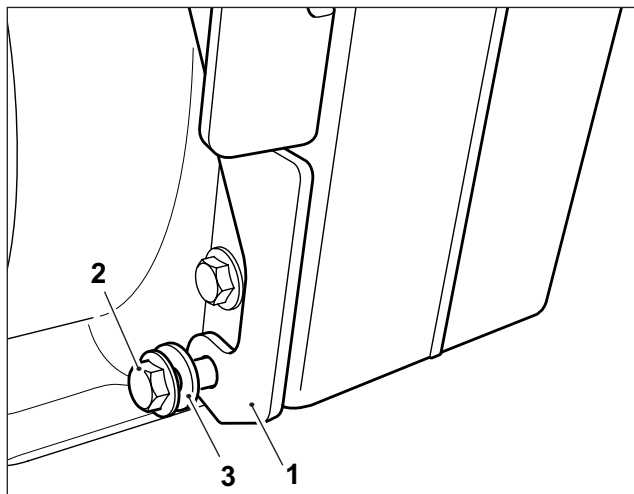
4 While supporting the horn (1), remove the top engine mounting fixing (2) from the right hand side of the motorcycle. Remove the horn and bracket assembly from the fixing. Retain the horn and bracket assembly for reuse. Retain the fixing for reuse if the accessory sump guard is removed.



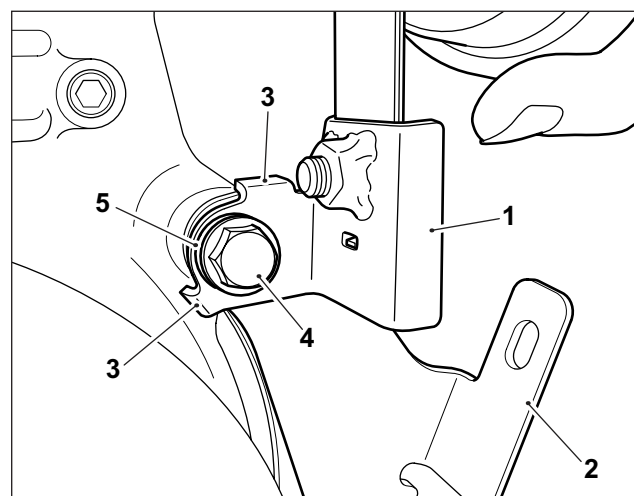
5 Ensure the motorcycle frame is clean. Pay particular attention to the area below the front lower engine mounting. The hole (1) through the frame (2) should be clear of any dirt or debris.



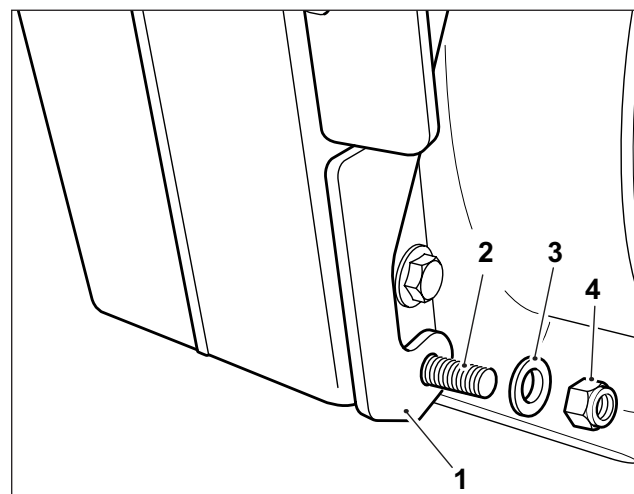
6 Align the right hand sump guard front mounting bracket (1) with the mounting hole below the bottom engine mounting, in the orientation shown. Fit an M8 x 130mm fixing (2) and washer (3) from the kit through the sump guard mounting bracket and motorcycle frame to the left hand side of the motorcycle.



7 Fit the right hand horn and bracket (1) over the sump guard mounting bracket (2) on the right hand side of the motorcycle, ensuring the horn mounting bracket anti-rotation features (3) are correctly located, as shown. Fit an M8 x 130mm fixing (4) and washer (5) from the kit.



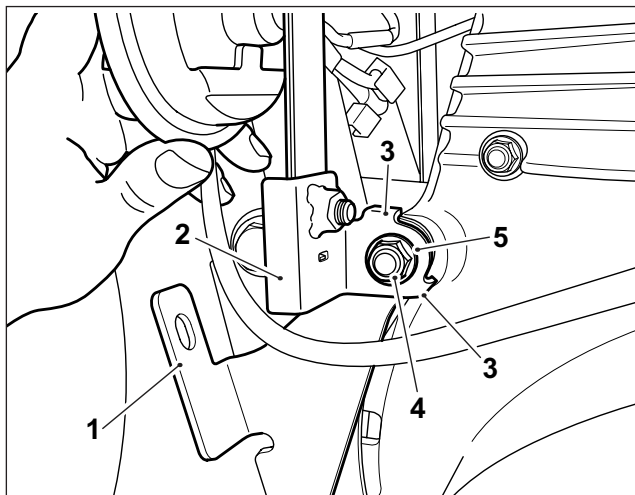
8 Fit the right hand sump guard front mounting bracket (1) on to the M8 x 130 mm fixing (2) through the bottom of the motorcycle frame and loosely fit a M8 washer (3) and lock nut (4) from the kit.



8 Position the left hand sump guard mounting bracket (1) on to the M8 x 130 mm fixing. Fit the left hand horn and bracket (2) over the sump guard mounting bracket (2), ensuring the horn mounting bracket anti-rotation features (3) are correctly located, as shown. Fit an M8 lock nut (4) and washer (5) from the kit.

Ensuring the left hand and right hand horn brackets are correctly located, tighten the top engine mounting fixing to **45 Nm**. Tighten the lower sump guard front mounting bracket fixing to **45 Nm**.

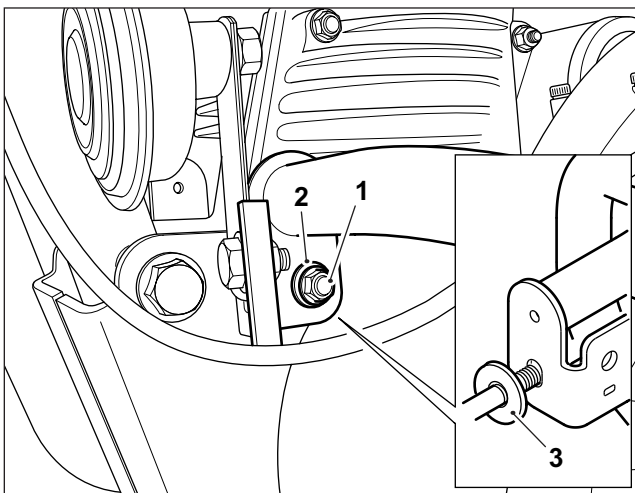
	13mm Bi-hexagonal socket with torque wrench 13mm Spanner
--	---



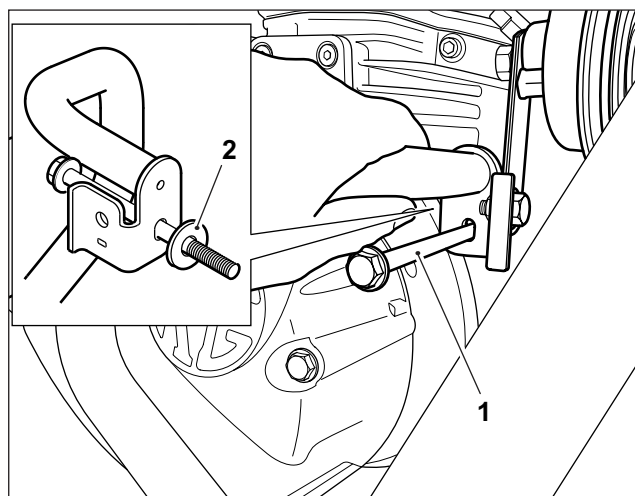
Motorcycles with Accessory Compact Engine Guards

9 Remove the top engine guard mounting fixing lock nut (1) washer (2) and spacer (3) on the left hand side of the motorcycle. Retain the spacer, lock nut and washer for reuse if the accessory sump guard is removed.

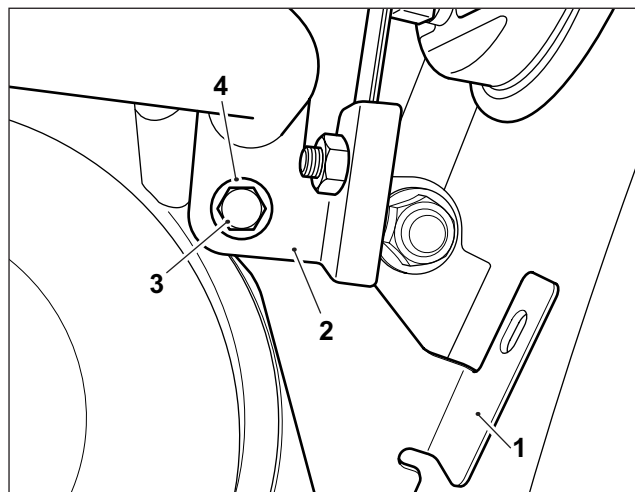
	13mm Bi-hexagonal socket with ratchet 13mm Spanner
--	---



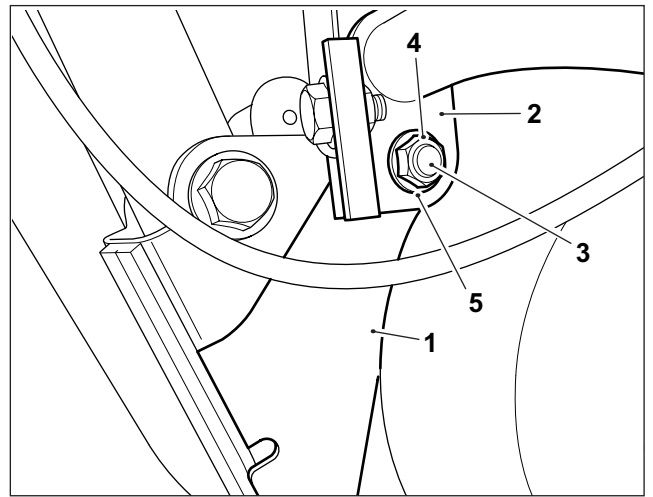
10 Remove the top engine mounting fixing (1) and spacer (2) from the right hand side of the motorcycle. Retain the fixing and spacer for reuse if the accessory sump guard is removed.



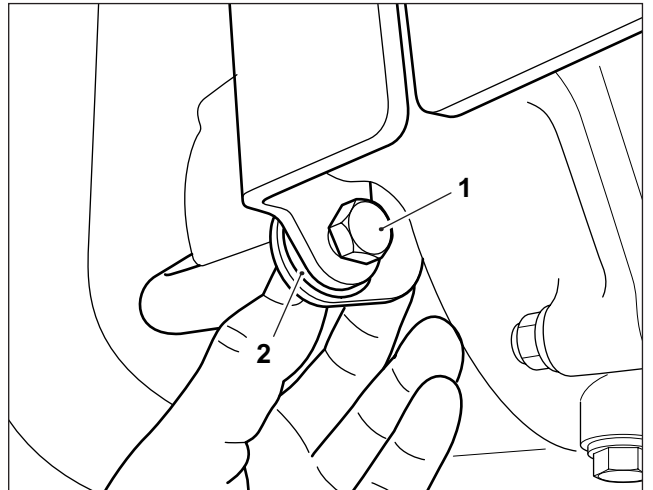
11 Fit the right hand sump guard front mounting bracket (1) under the engine guard mounting (2), in the orientation shown and align with the top engine mounting. Fit a M8 x 130mm fixing (3) and washer (4) from the kit.



12 Fit the left hand sump guard front mounting bracket (1) under the engine guard mounting (2), and on to the fixing (3) in the orientation shown. Fit an M8 lock nut (4) and washer (5) from the kit. Do not fully tighten the fixing at this stage.

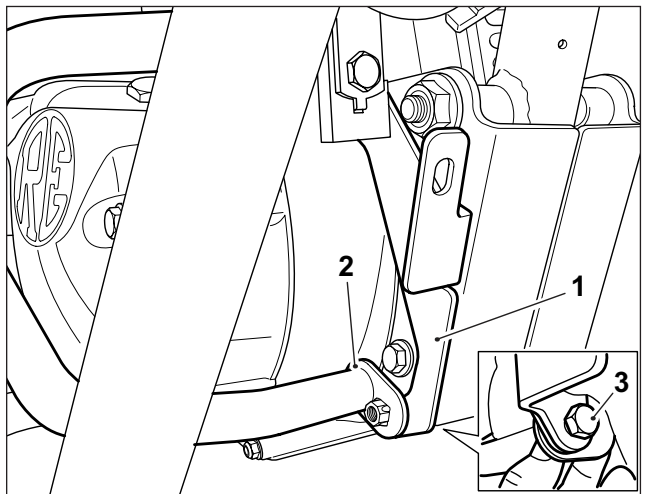


13 Remove the left hand and right hand lower engine guard fixings (1) and spacers (2), right hand side shown. Retain the fixings for reuse, retain the spacers for reuse if the accessory sump guard is removed.

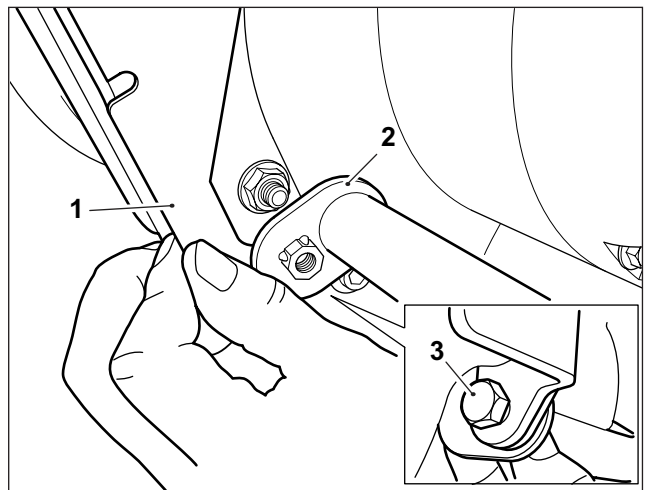


	<p>13mm Bi-hexagonal socket with ratchet</p>
--	--

14 Position the right hand sump guard front mounting bracket (1) under the right hand lower engine guard mounting (2) and align the fixing holes. Refit the original engine guard fixing (3).



15 Position the left hand sump guard front mounting bracket (1) under the left hand lower engine guard mounting (2) and align the fixing holes. Refit the original engine guard fixing (3).

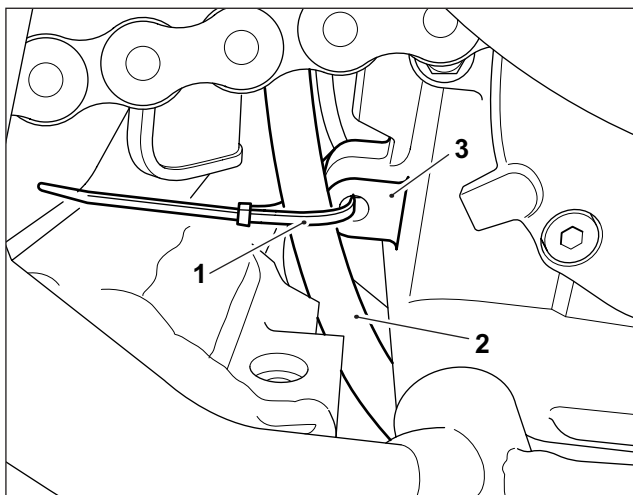


16 Tighten the upper engine guard fixing to **45 Nm**. Tighten the lower engine guard fixings to **22 Nm**.

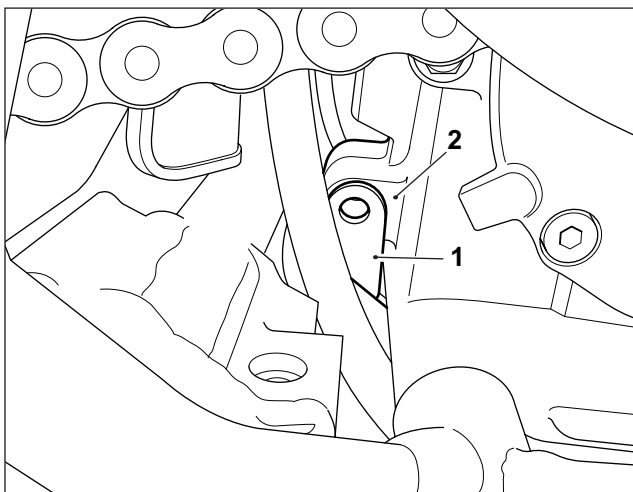
	<p>13mm Bi-hexagonal socket with torque wrench 13mm Spanner</p>
--	---

All Motorcycles

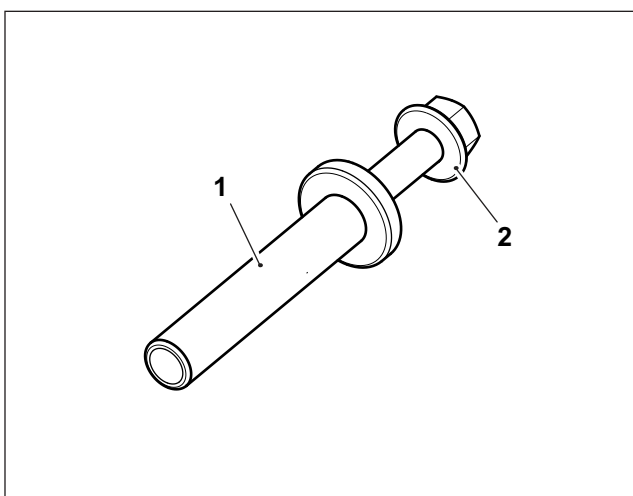
17 Remove the cable tie (1) retaining the rear brake master cylinder hose (2). Carefully move the master cylinder hose away from the mounting section (3) on the rear of the engine crankcase.



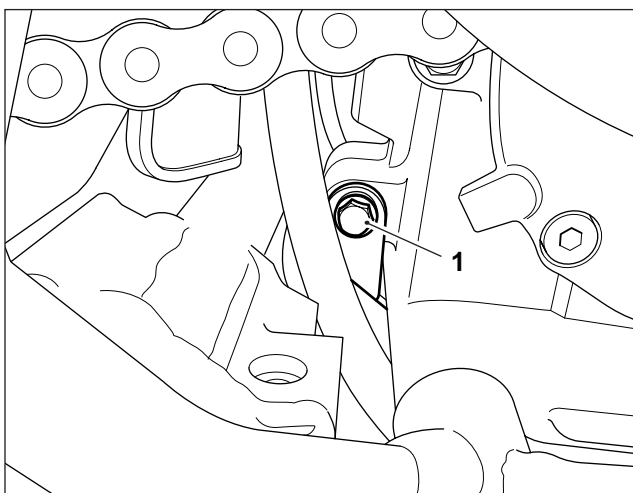
18 Position the sump guard rear mounting bracket (1) under the rear of the motorcycle and align the bracket fixing positions with the mounting section (2) on the rear of the engine crankcase.



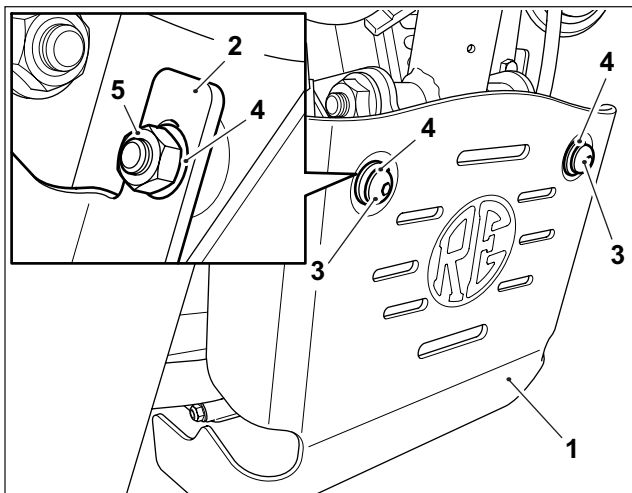
19 Collect the flanged sleeve (1) and M5 x 55mm fixing (2) from the kit. Fit the fixing into the flanged sleeve, as shown.



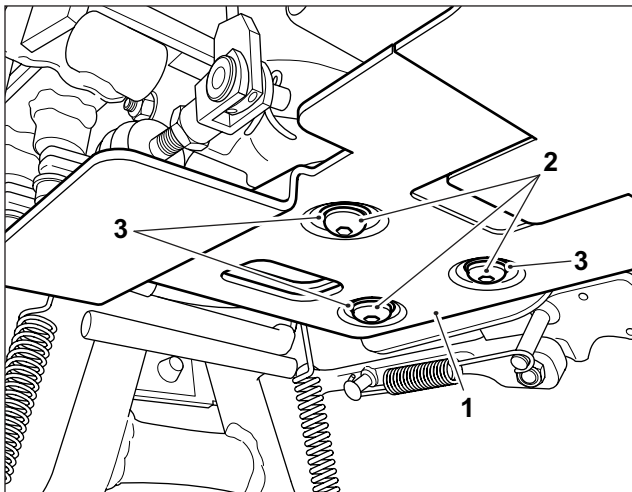
20 Fit the fixing and flanged sleeve (1) through the sump guard rear mounting bracket (2) and mounting section on the engine crankcase from the right hand side of the motorcycle. Do not fully tighten the fixing at this stage.




21 Position the accessory sump guard (1) on to the front mounting brackets (2). Loosely fit two M8 x 20mm button head fixings (3), washers (4) and M8 lock nuts (5) from the kit.

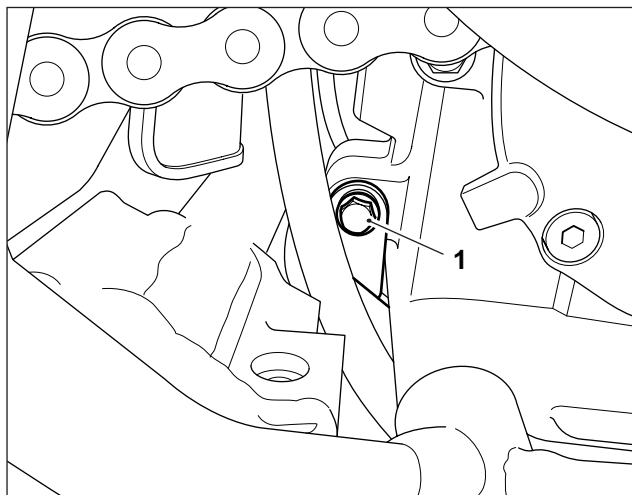


22 Align the accessory sump guard (1) with the rear mounting bracket. Loosely fit three M8 x 20mm button head fixings (2) and washers (3) from the kit.




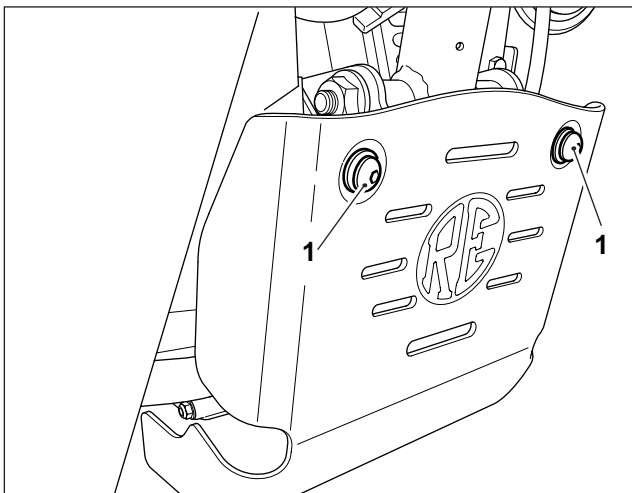
23 Tighten the sump guard rear mounting bracket M5 x 55mm fixing (1) to **5 Nm**.

	8mm Bi-hexagonal socket with torque wrench
---	--



24 Tighten the accessory sump guard front fixings (1) first to **22 Nm**.

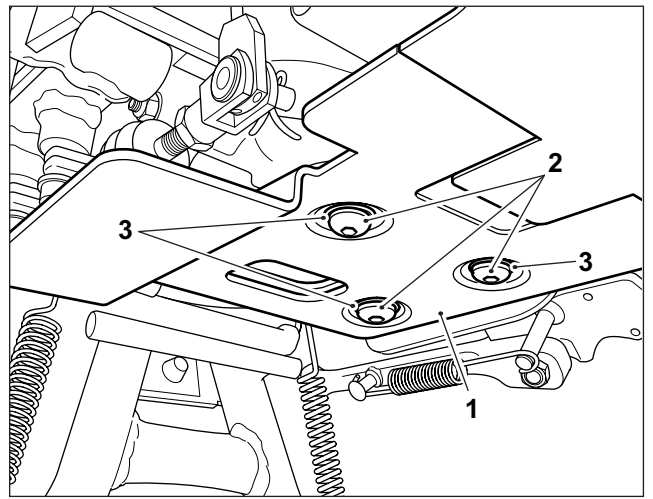
	6mm Allen socket with torque wrench 13mm Spanner
--	---



25 Tighten the accessory sump guard rear fixings (1) **22 Nm**.

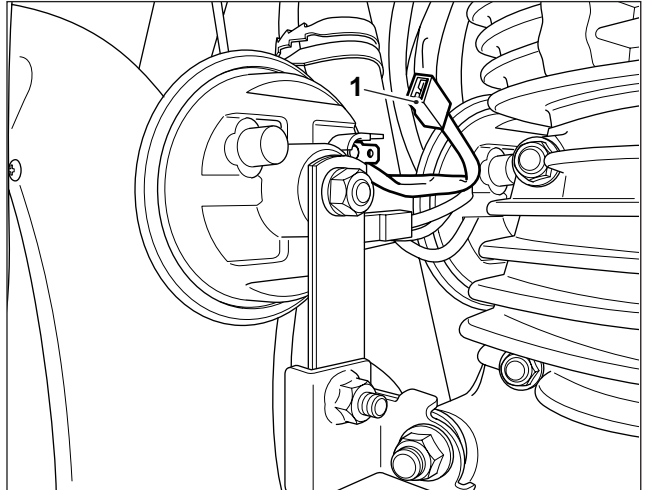


6mm Allen socket with torque wrench



26 Reconnect the left hand and right hand horn connections.

27 Reconnect the battery, positive connection first.



 **WARNING:** After fitting any genuine Royal Enfield accessory always ride the motorcycle with caution and allow time to become familiar with any change in the motorcycle handling characteristics. Failure to become familiar with any change in the motorcycle handling characteristics may cause the motorcycle to become unstable and result in an accident.