




Part Number:
1990542 – Tall Tinted Flyscreen
1990530 – Painted Flyscreen

Models:
Interceptor Bear

 **WARNING:** Royal Enfield genuine accessories are designed to fit only the specific Royal Enfield motorcycle(s) that are specified above. They should not be fitted to any other type of motorcycle. Pay particular attention to the warnings and cautions contained in this instruction, failure to do so may result in an incorrect installation of the accessory which could result in an unsafe riding condition and possible accident. If in any doubt always seek help from your authorised Royal Enfield dealer.

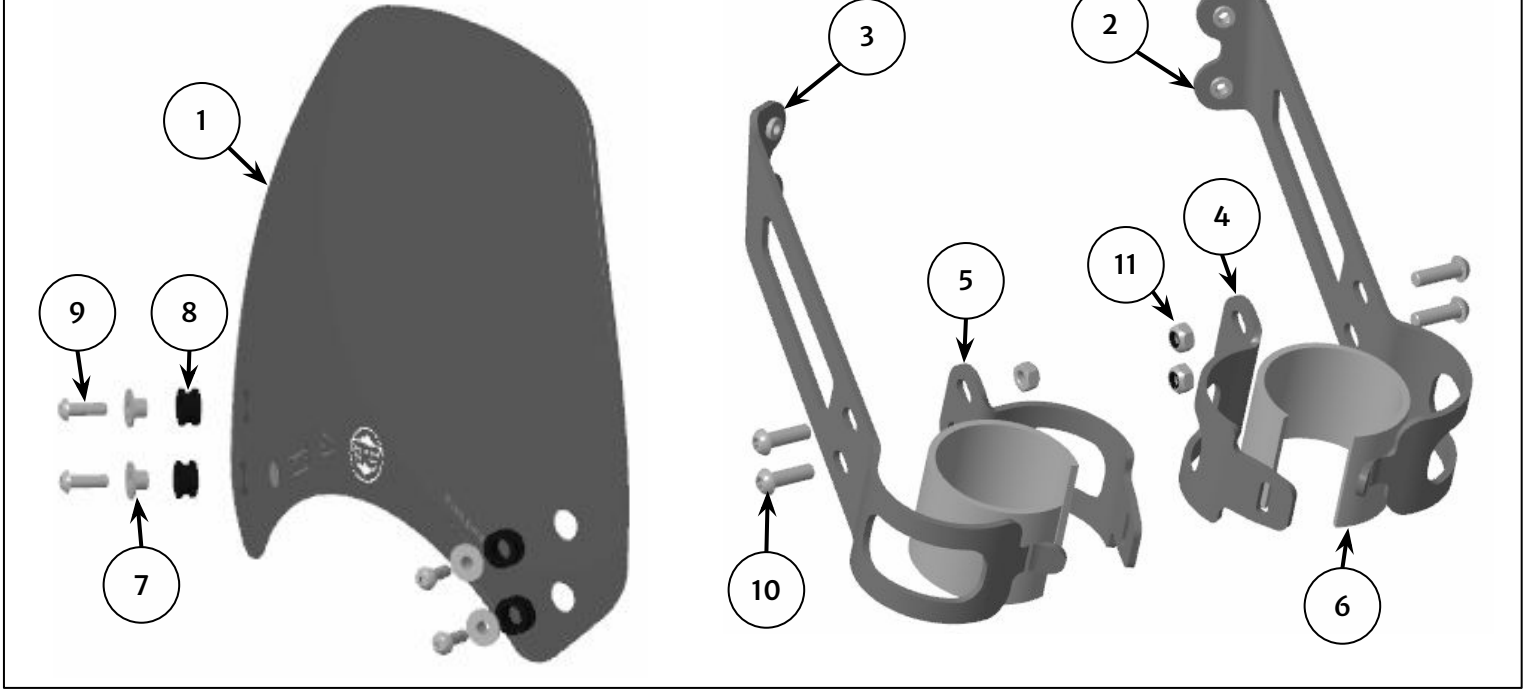
 **WARNING:** Before starting any accessory kit installation ensure the motorcycle is supported in a stable condition. Failure to support the motorcycle correctly could lead to motorcycle damage or personal injury.

 **WARNING:** All fixings must be tightened to the torque values specified in this instruction. Failure to tighten fixings to the correct torque could result in an unsafe riding condition and possible accident

 **CAUTION:** Care should be taken when fitting any accessory kit. Incorrect handling of kit components or the use of incorrect tools could lead to component or motorcycle damage.

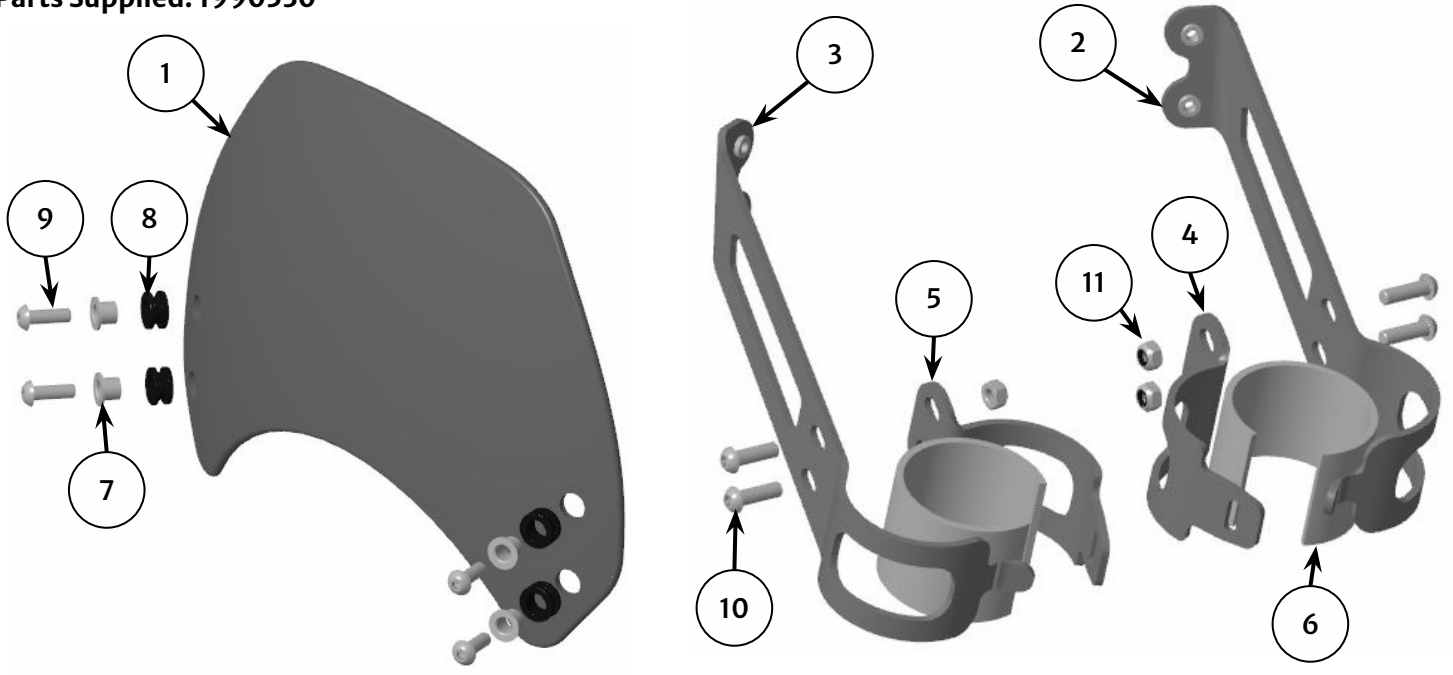
NOTE: The content of this instruction is subject to change at any time without notice or liability. Royal Enfield reserves the right to revise the information presented at any time.

Parts Supplied: 1990542



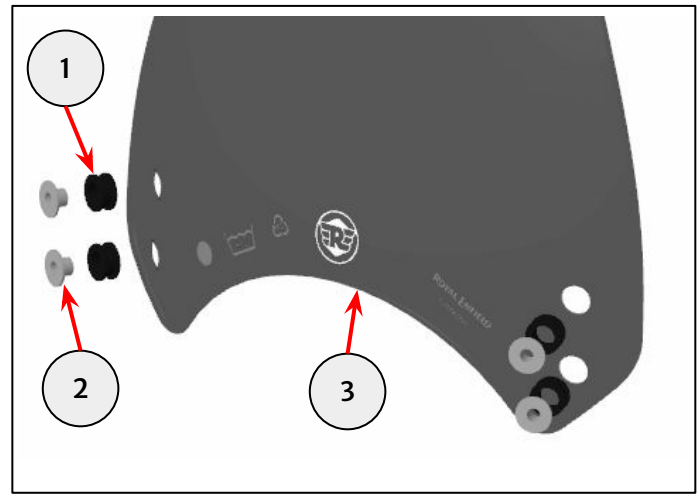
Item	Description	Qty
1	Tall Flyscreen	1
2	Bracket, right hand	1
3	Bracket, left hand	1
4	Clamp, right hand	1
5	Clamp, left hand	1
6	Rubber sleeve	2
7	Top hat	4
8	Rubber grommet	4
9	Fixing, M5 x 16mm	4
10	Fixing, M6 x 20mm	4
11	Nut, M6	4

Parts Supplied: 1990530



Item	Description	Qty
1	Painted Flyscreen	1
2	Bracket, right hand	1
3	Bracket, left hand	1
4	Clamp, right hand	1
5	Clamp, left hand	1
6	Rubber sleeve	2
7	Top hat	4
8	Rubber grommet	4
9	Fixing, M5 x 16mm	4
10	Fixing, M6 x 20mm	4
11	Nut, M6	4

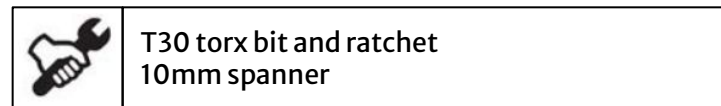
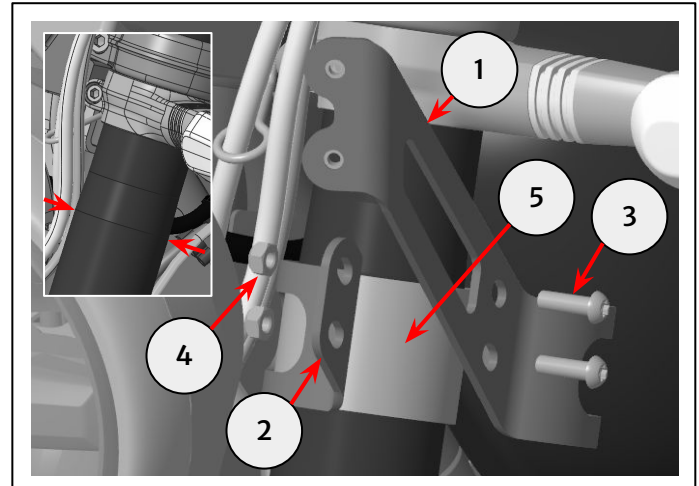
1 Fit the four rubber grommets (1) and four top hats (2) from the kit to the flyscreen (3), as shown.



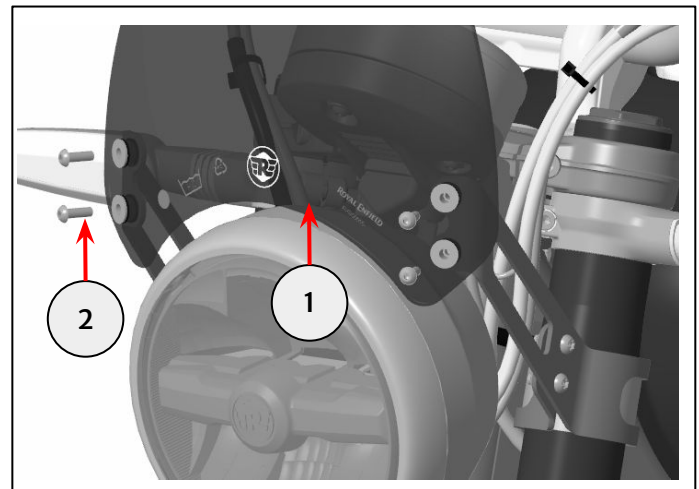
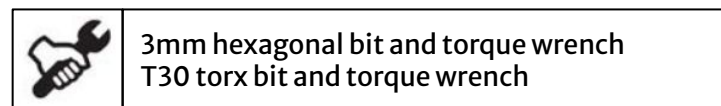
2 Assemble the left hand bracket (1) and left hand clamp (2) around the left hand fork with two M6 x 20mm fixings (3) and two M6 nuts (4) from the kit.

Place a rubber sleeve (5) between the bracket and clamp and align the top edge to the fork taper line as shown.

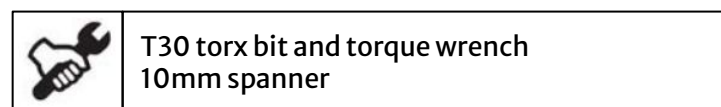
Repeat step for the right hand side. Do not fully tighten at this stage.



3 Assemble the flyscreen (1) with four M5 x 12mm fixings (2) supplied in the kit and tighten to **3Nm**.



4 Tighten the fixings through the brackets and clamps assembled in step 2 to **10Nm**.



WARNING: After fitting any genuine Royal Enfield accessory always ride the motorcycle with caution and allow time to become familiar with any change in the motorcycle handling characteristics. Failure to become familiar with any change in the motorcycle handling characteristics may cause the motorcycle to become unstable and result in an accident.