

Part Number:
KXA00337

Models:
SUPER METEOR

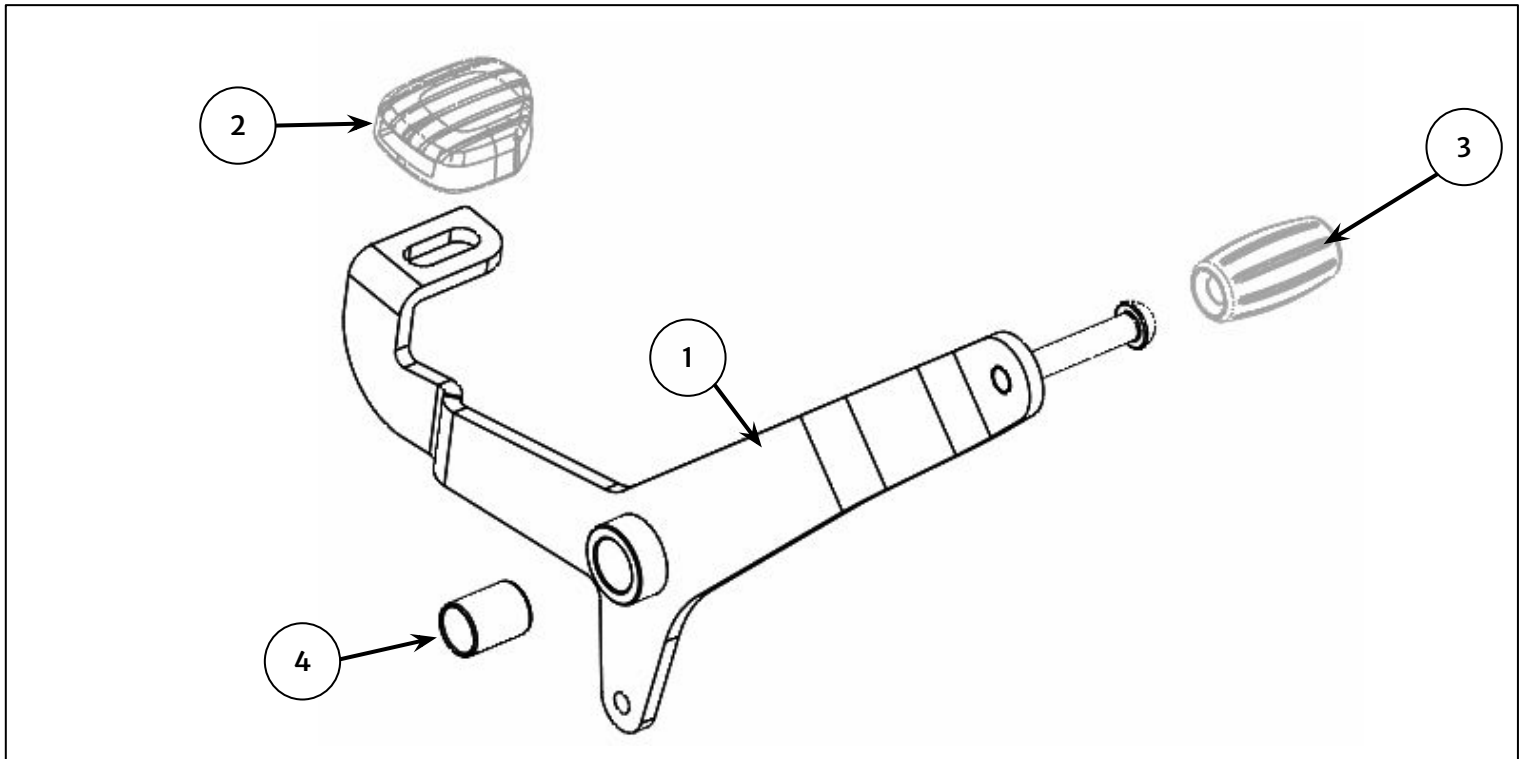
WARNING: Royal Enfield genuine accessories are designed to fit only the specific Royal Enfield motorcycle(s) that are specified above. They should not be fitted to any other type of motorcycle. Pay particular attention to the warnings and cautions contained in this instruction, failure to do so may result in an incorrect installation of the accessory which could result in an unsafe riding condition and possible accident. If in any doubt always seek help from your authorised Royal Enfield dealer.

WARNING: Before starting any accessory kit installation ensure the motorcycle is supported in a stable condition. Failure to support the motorcycle correctly could lead to motorcycle damage or personal injury.

WARNING: All fixings must be tightened to the torque values specified in this instruction. Failure to tighten fixings to the correct torque could result in an unsafe riding condition and possible accident

CAUTION: Care should be taken when fitting any accessory kit. Incorrect handling of kit components or the use of incorrect tools could lead to component or motorcycle damage.


NOTE: The content of this instruction is subject to change at any time without notice or liability. Royal Enfield reserves the right to revise the information presented at any time.

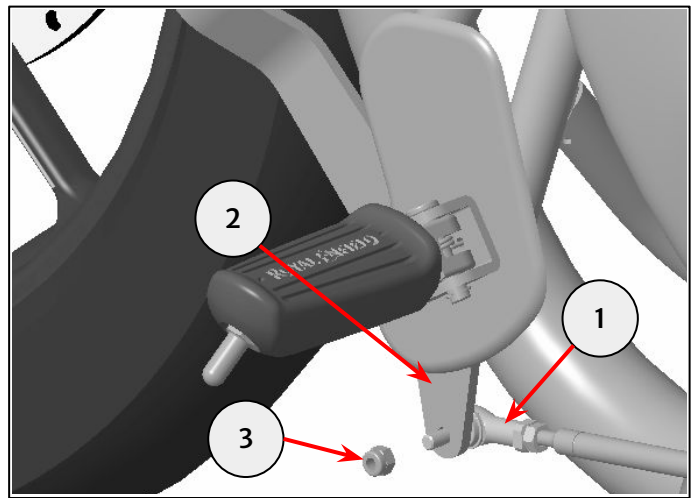


Item	Description	Qty
1	Gear Pedal Assembly	1
2	Heel Rubber	1
3	Toe Rubber	1
4	Bush	1

1 Release the gear linkage (1) from the gear pedal assembly (2) by removing the nut (3)

Retain the nut (3) for reuse.


	10mm socket and ratchet
--	-------------------------




2 Remove the control plate assembly (1) by removing the fixings (2) and nut (3).

Retain the control plate assembly (1), fixings (2) and the nut (3) for reuse.

Note: the exhaust header has been removed for visual purposes only.


	13mm socket and ratchet
--	-------------------------

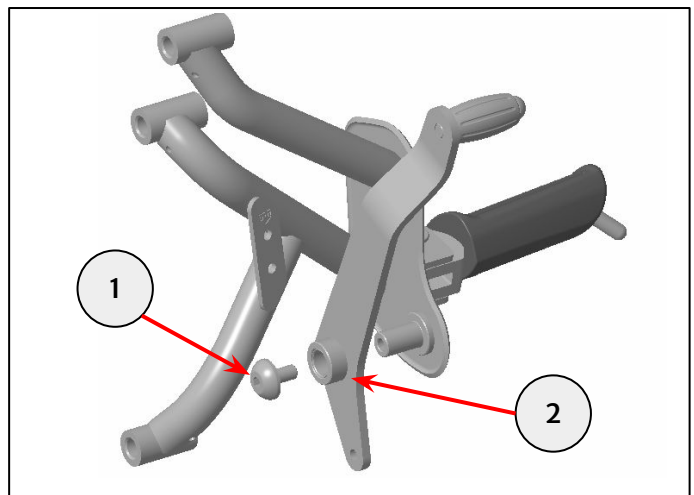
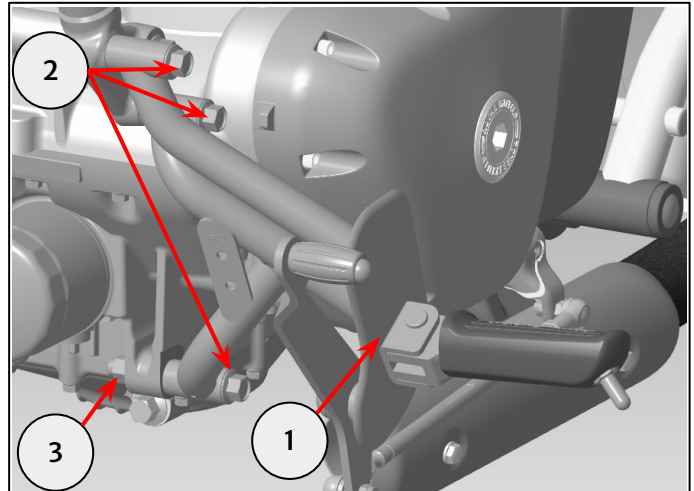
	14mm spanner
--	--------------

3 Remove the fixing (1) and the gear pedal assembly (2).

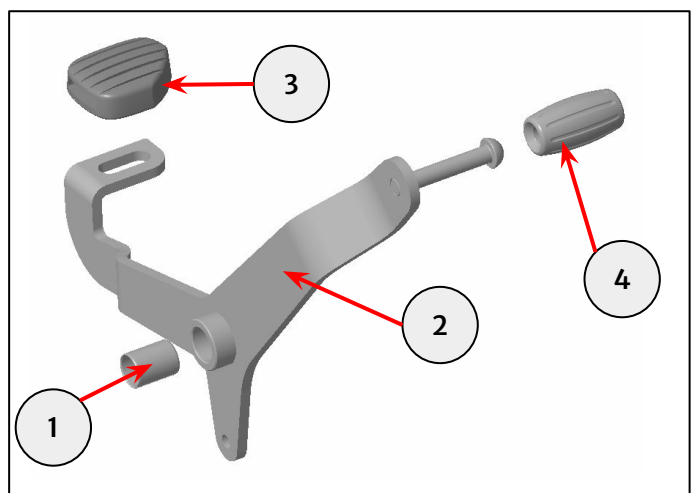
Retain the gear pedal assembly (2) for reuse if the motorcycle is to be returned to its original condition.

Retain the fixing (1) for reuse

	6mm hexagonal bit and ratchet
--	-------------------------------




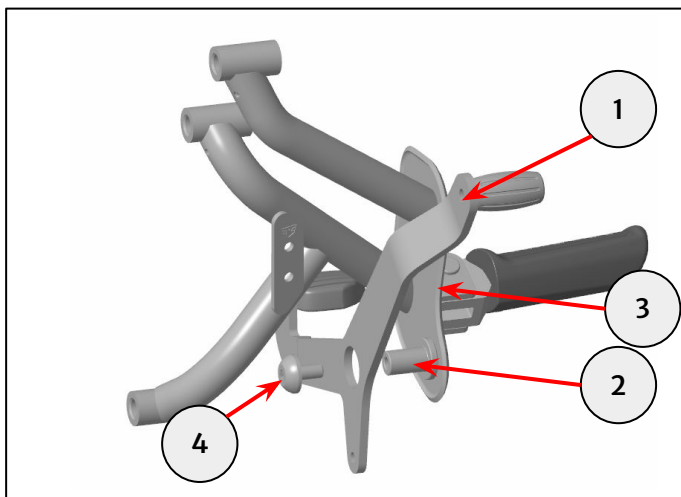
4 Fit the bush (1) into the gear pedal assembly (2).
Fit the heel rubber (3) and toe rubber (4) into the gear pedal assembly (2).



5 Align the gear pedal assembly (1) with the pivot boss (2) on the control plate (3). Fit the fixing (4) removed in step 3.

Tighten the fixing (4) to 22Nm

	6mm hexagonal bit and Torque wrench.
--	--------------------------------------




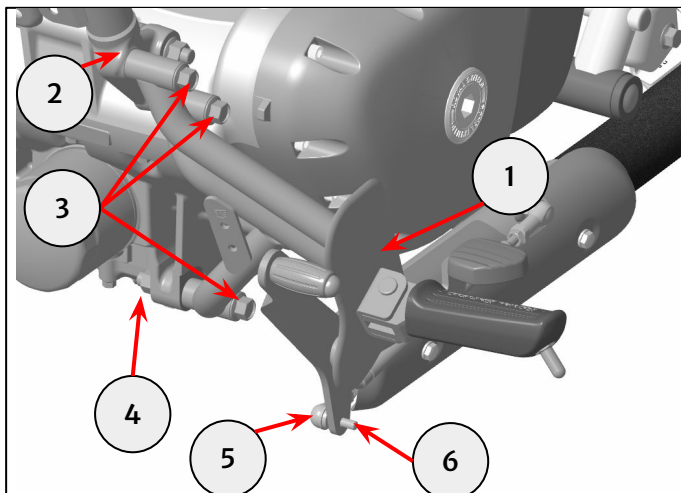
6 Fix the control plate (1) to the motorcycle frame (2) using the fixings (3) and nut (4) removed in step 2. Locate the gear linkage (5) into the fixing hole on the gear pedal assembly (6).

Tighten fixings (3) to 45Nm

Note: the exhaust header has been removed for visual purposes only.

	13mm socket and Torque wrench
---	-------------------------------

	14mm spanner
--	--------------

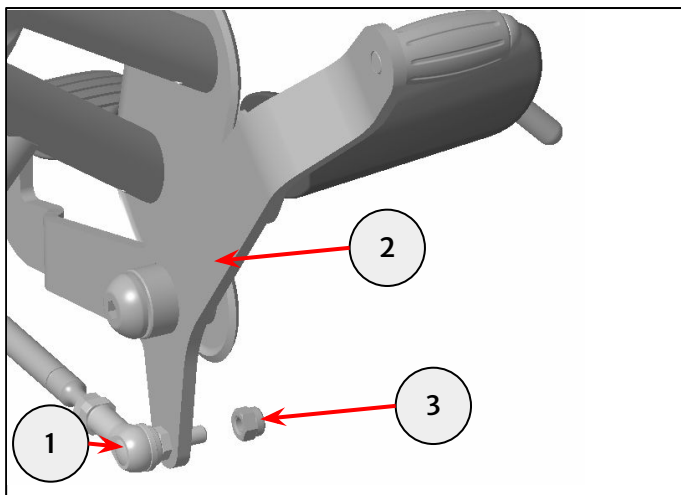


7 Fix the gear linkage (1) to the gear pedal assembly (2) using the nut removed in step 1 (3).

Tighten the nut (2) to 10Nm

Note: the exhaust header has been removed for visual purposes only.

	10mm socket and Torque wrench
--	-------------------------------



WARNING: After fitting any genuine Royal Enfield accessory always ride the motorcycle with caution and allow time to become familiar with any change in the motorcycle handling characteristics. Failure to become familiar with any change in the motorcycle handling characteristics may cause the motorcycle to become unstable and result in an accident.